

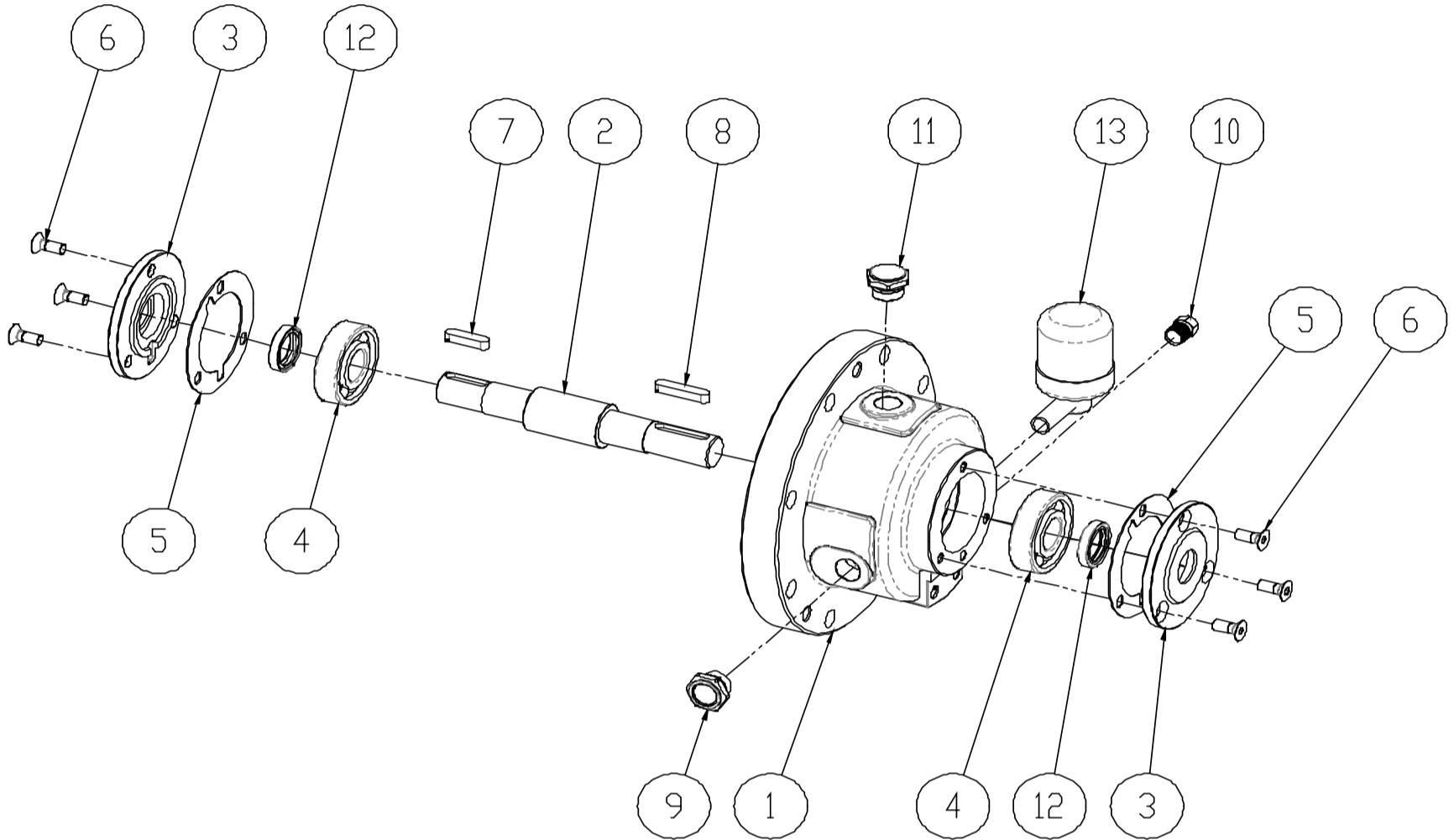


PUMP MODEL: CL MAG-M

ITEM: BARE SHAFT EXPLODED VIEWS

CODE:

E11000



EXPLODED VIEW

N°	DESCRIPTION	IDENTIFICATION			
		COMPONENT CODE	MATERIAL	QUANTITY	
1	Bearing Frame	50510C091	WCB	1	
2	Shaft	55010C31A	AISI 420	1	
3	Bearing Cover	55510C001	Aluminum	2	
4	Ball Bearing	91010A6305	Bearing steel	2	
5	Bearing Cover gasket	91510A0950620	ASBESTOS FREE	2	
6	Screw UNI5933	M8x20	91610TSEI820A2	A2-70	6
7	Key UNI6604	8x7x32	91640A8732A2	A2-70	1
8	Key UNI6604	8x7x40	91640A8740A2	A2-70	1
9	Eye plug	1/2"BSP	9315012MAI	Aluminum	1
10	Drain Plug	1/4"NPT	5315014M	AISI 316	1
11	Vent Plug	1/2"BSP	9315012MAS	Aluminum	1
12	Lip seal		92110V25357	EPDM	2
13	Costant level oiler		91910014NV0120	Fe Zinc	2